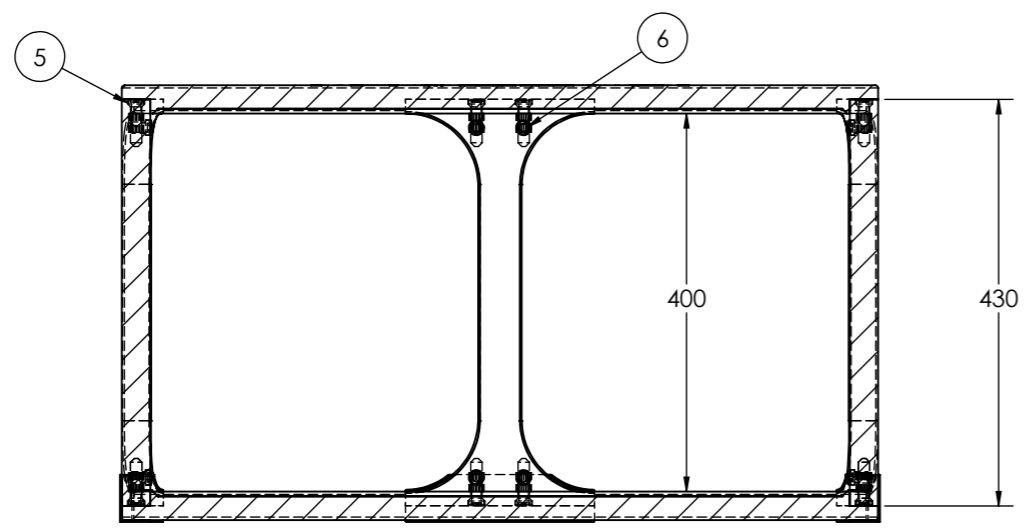
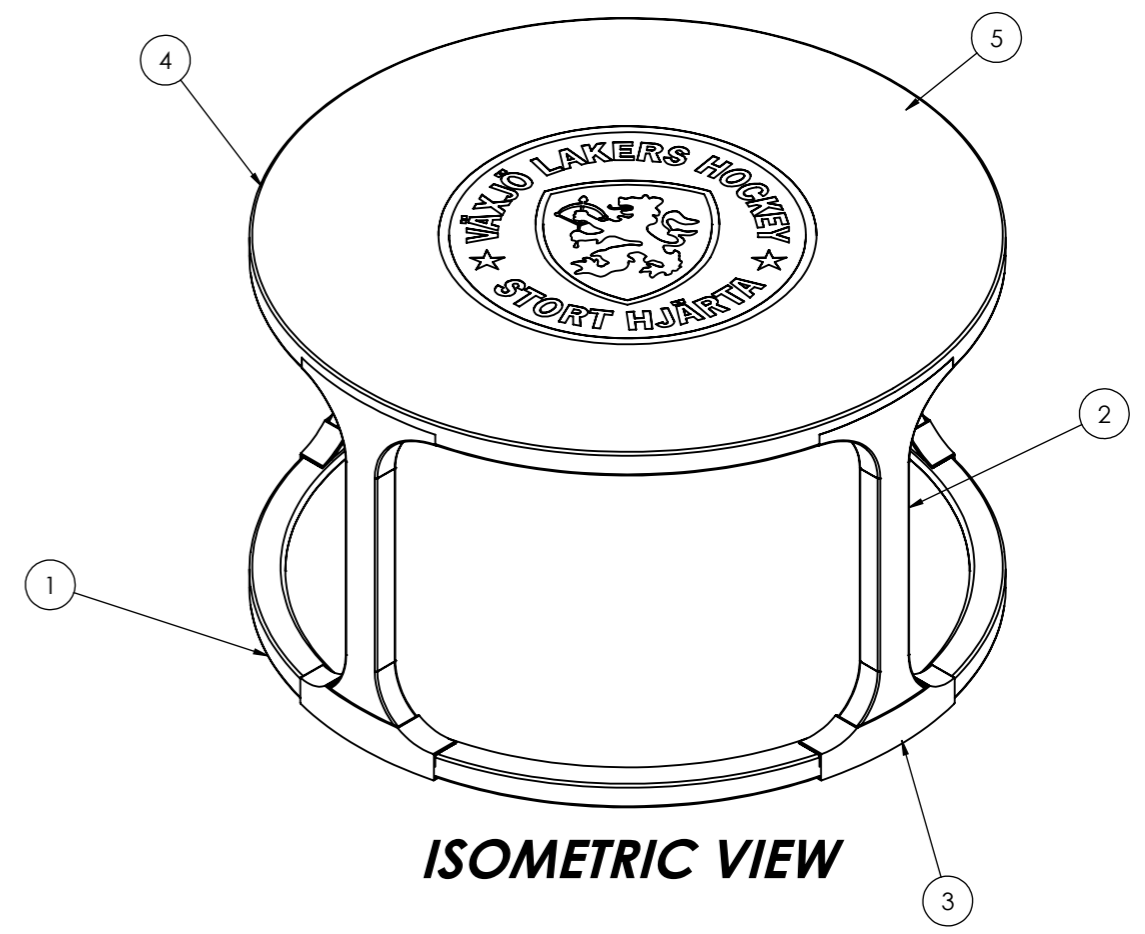
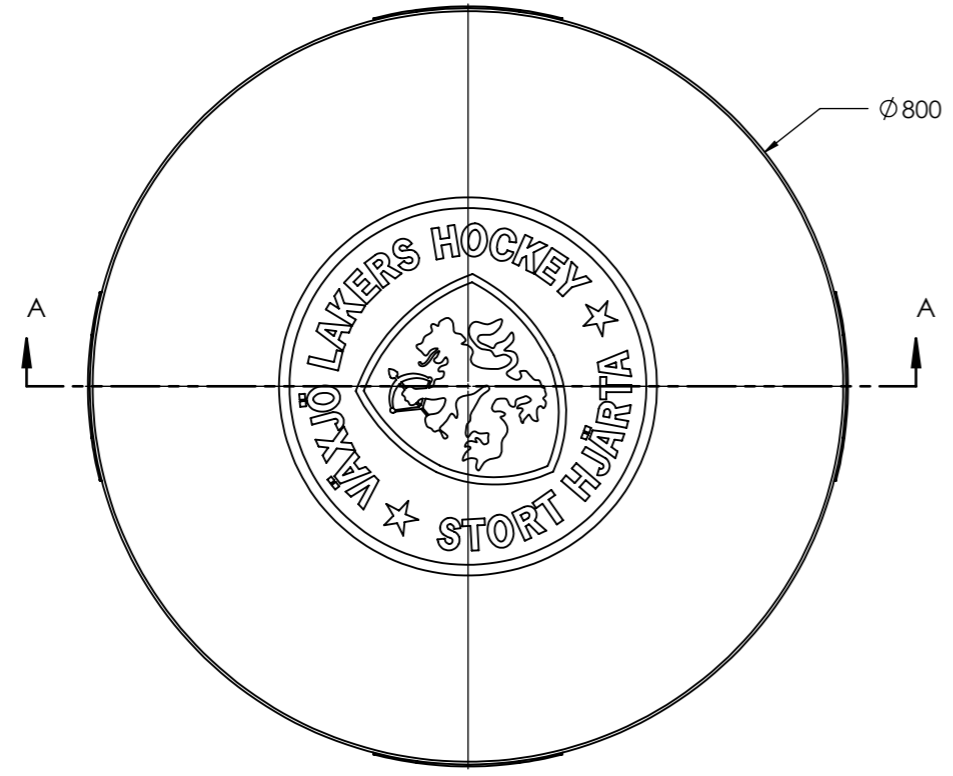
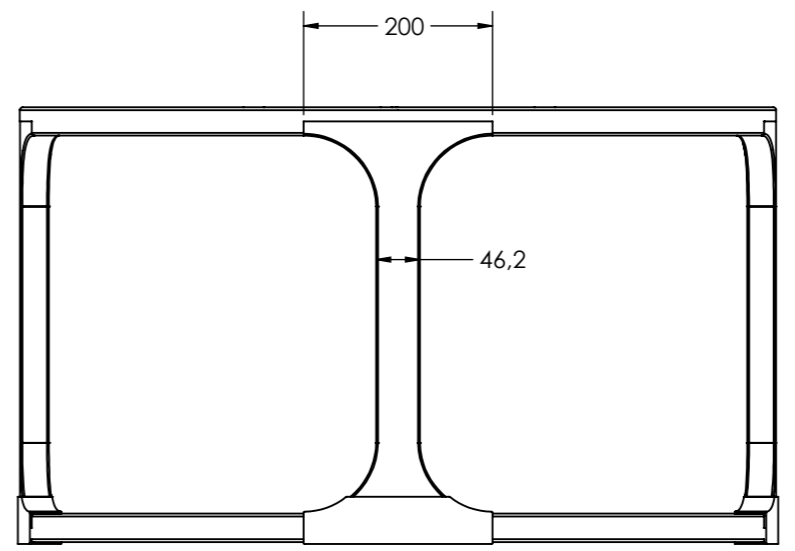


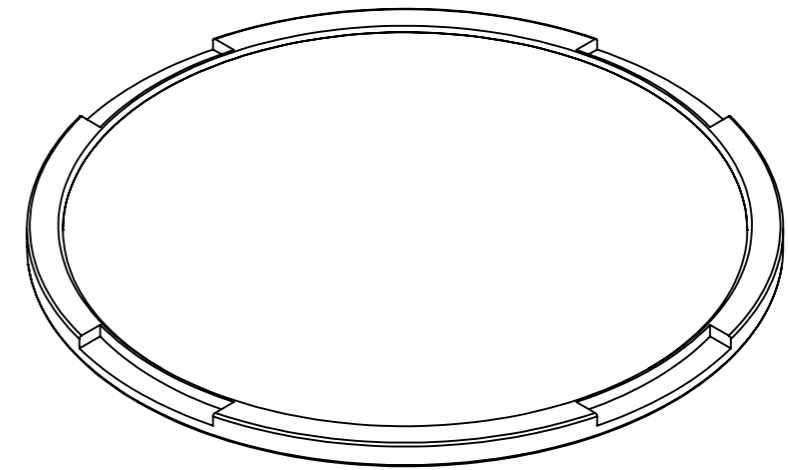
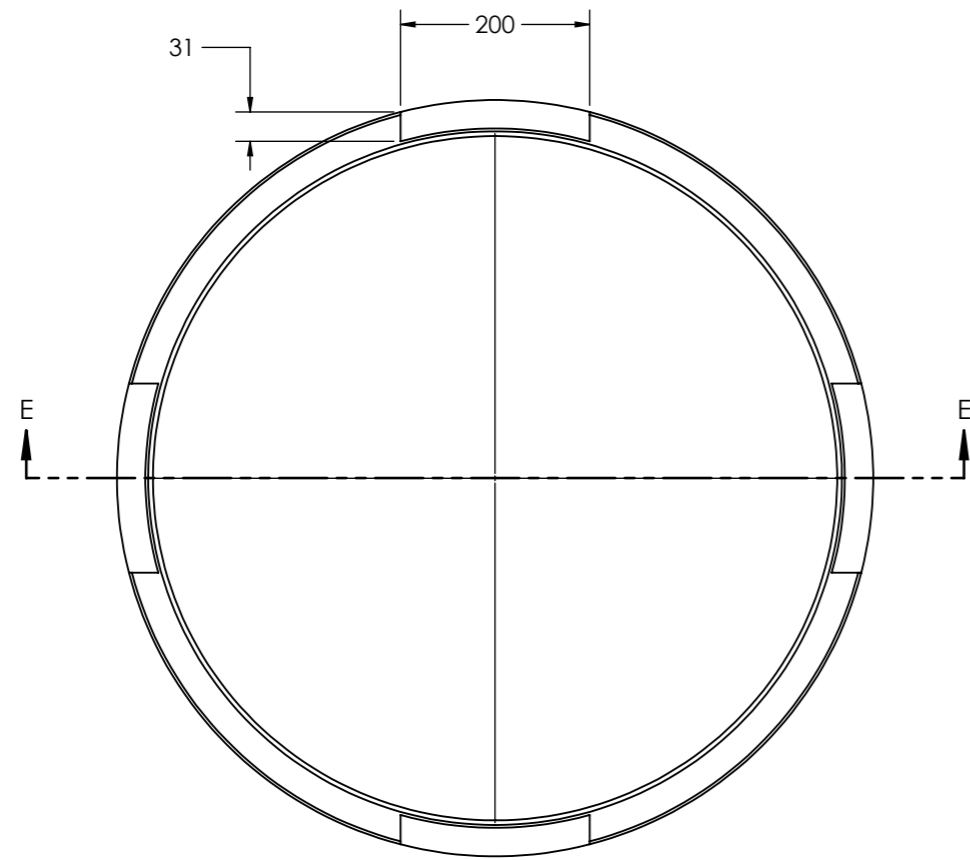
NO	DESCRIPTION	MATERIAL	QTY.
1	BOTTOM	WOOD	1
2	LEG	WOOD	4
3	METAL STEP	ALUMINIUM	4
4	TOP	WOOD	1
5	HOOK SCREW	C-STEEL	16
6	HEX SCREW	C-STEEL	16



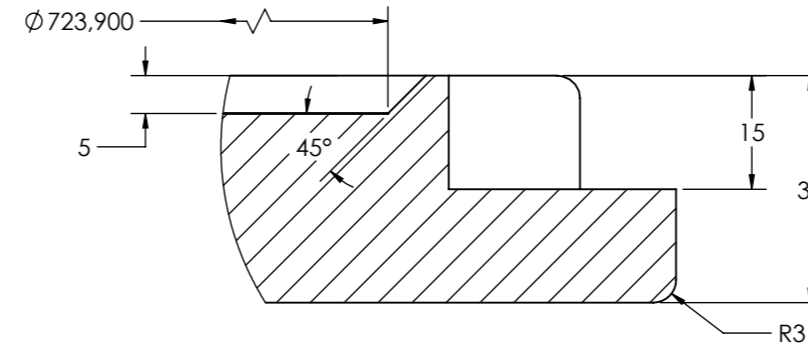
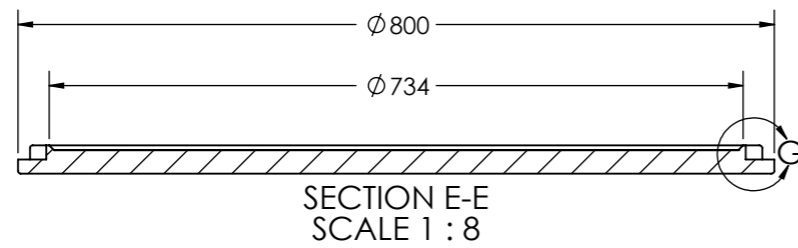
SECTION A-A  
SCALE 1 : 8



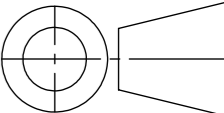
CUSTOMER:			UNIT:
DRAWING	APPROVED		
CHECKED	DATE		
SUB TITLE :			
MAIN TITLE :			

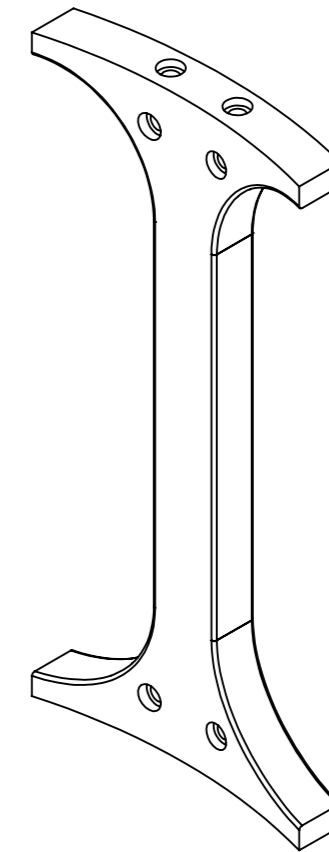
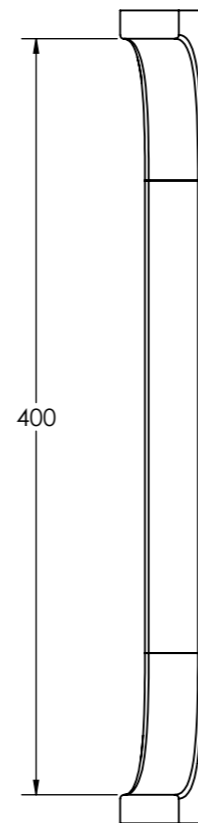
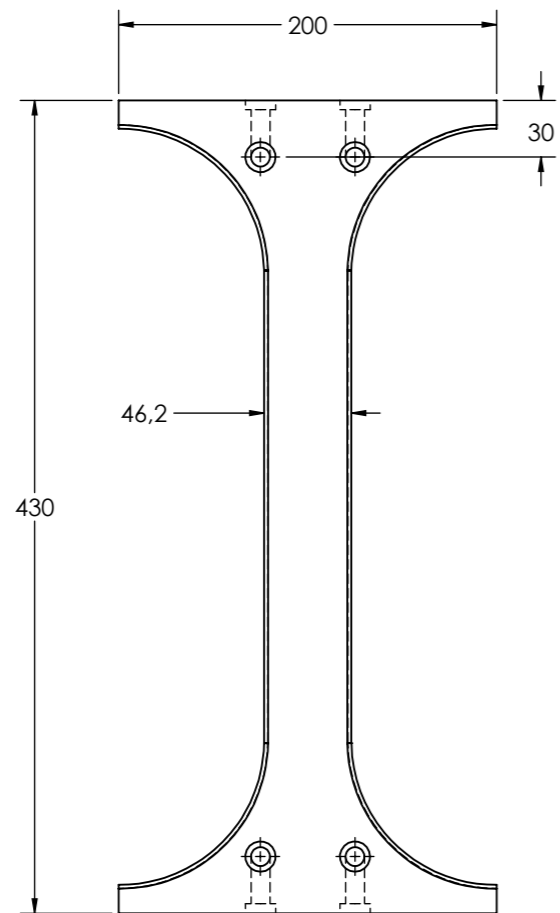
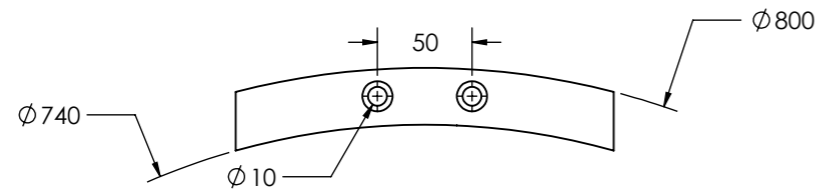


**ISOMETRIC VIEW**



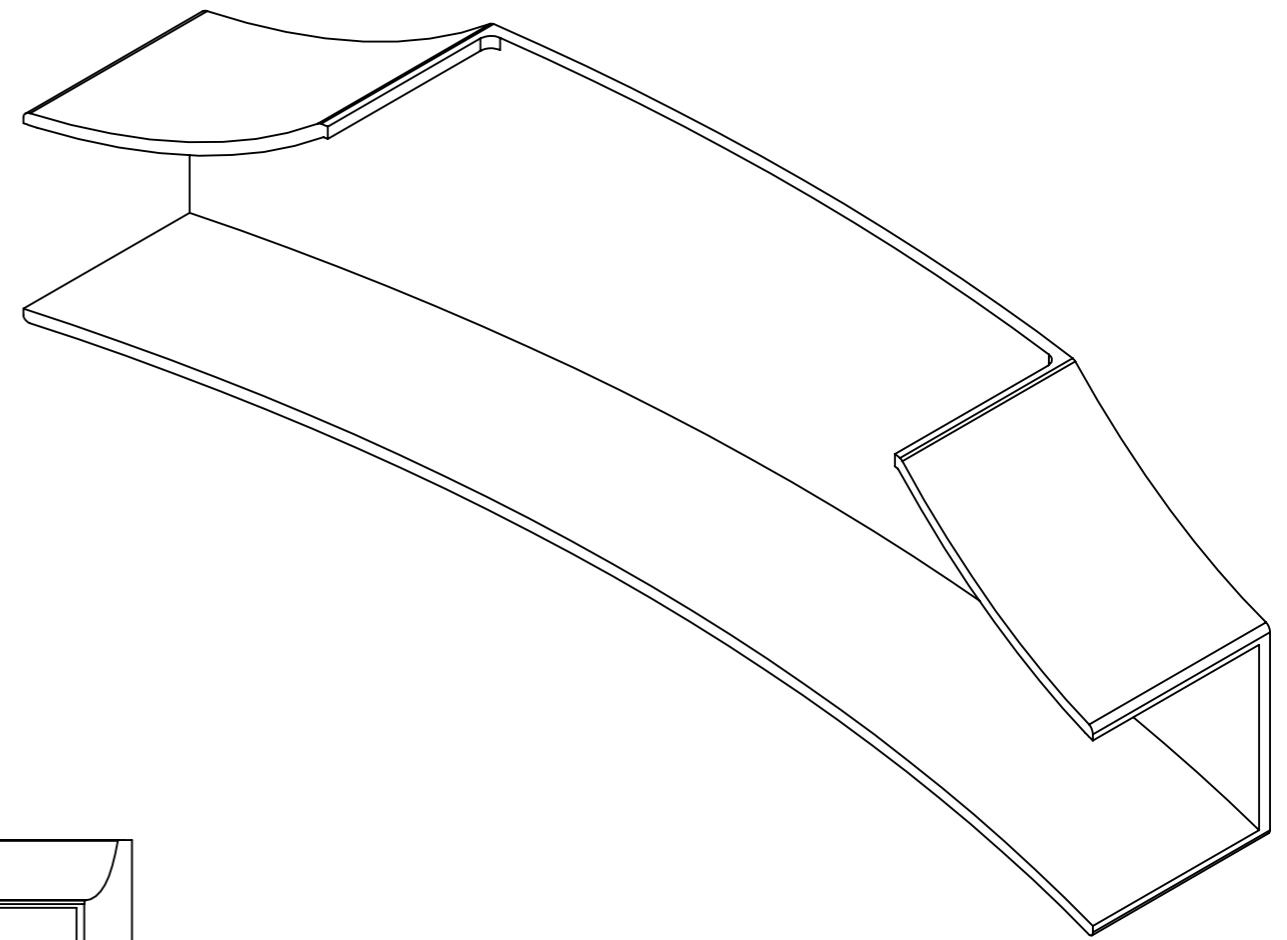
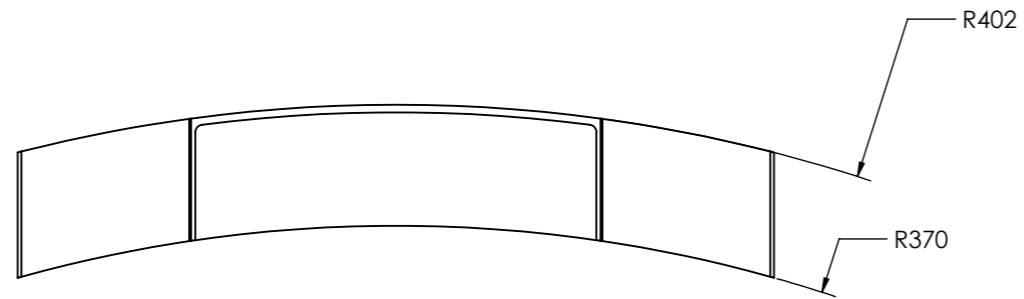
DETAIL G  
SCALE 1 : 1

CUSTOMER:				UNIT:
DRAWING		APPROVED		
CHECKED		DATE		
SUB TITLE :				
MAIN TITLE :				

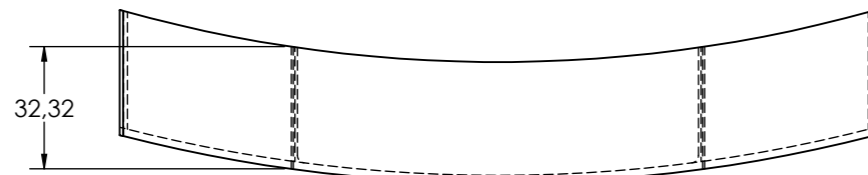
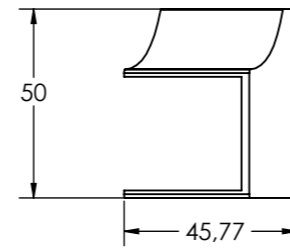
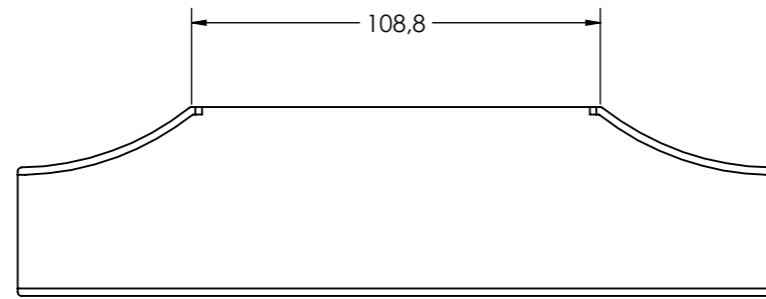
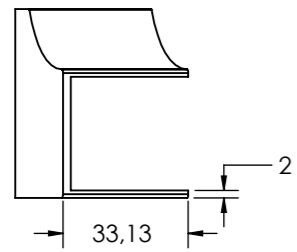


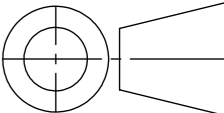
**ISOMETRIC VIEW**

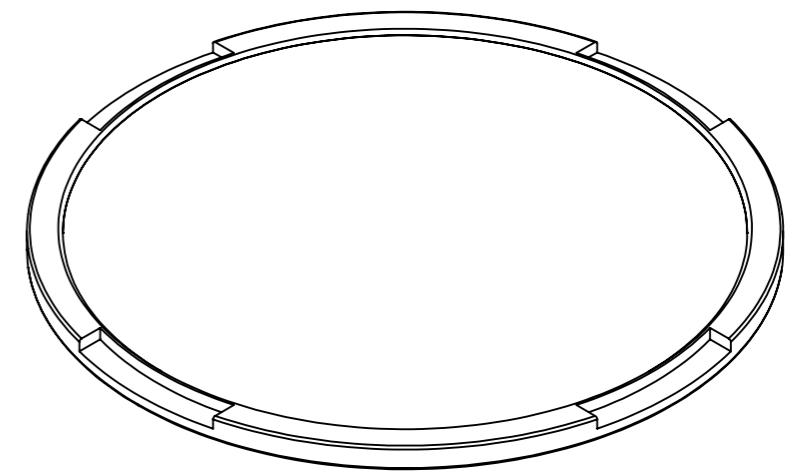
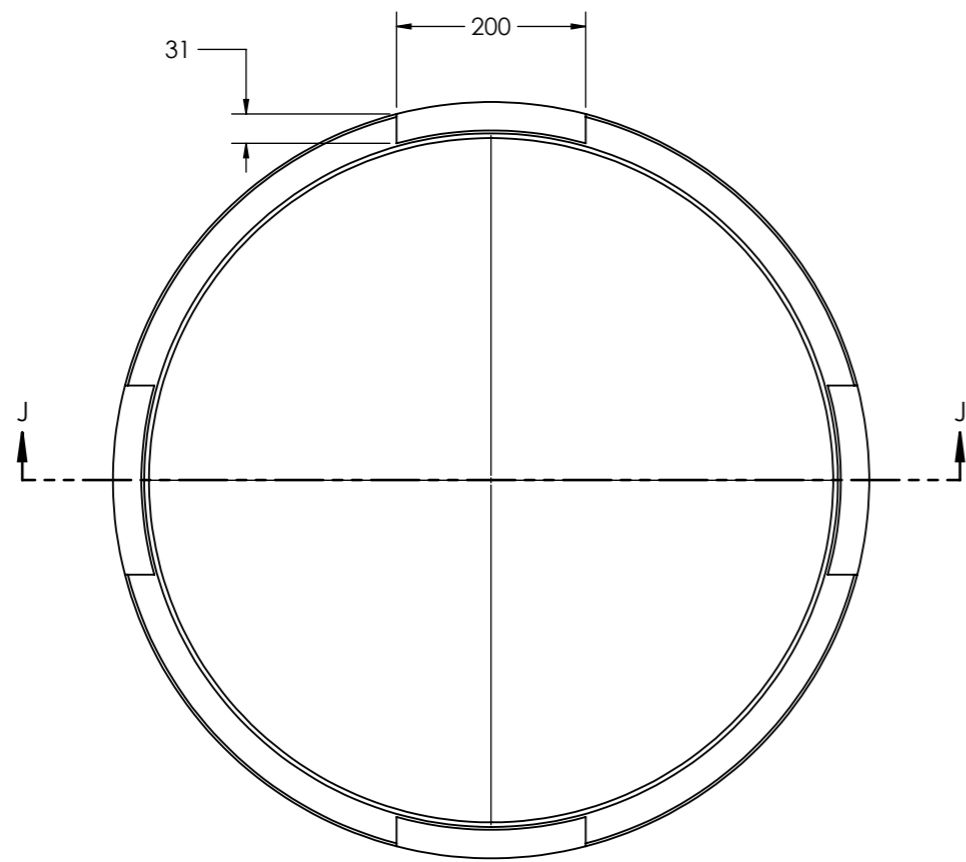
CUSTOMER:				UNIT:
DRAWING		APPROVED		
CHECKED		DATE		
SUB TITLE :				
MAIN TITLE :				



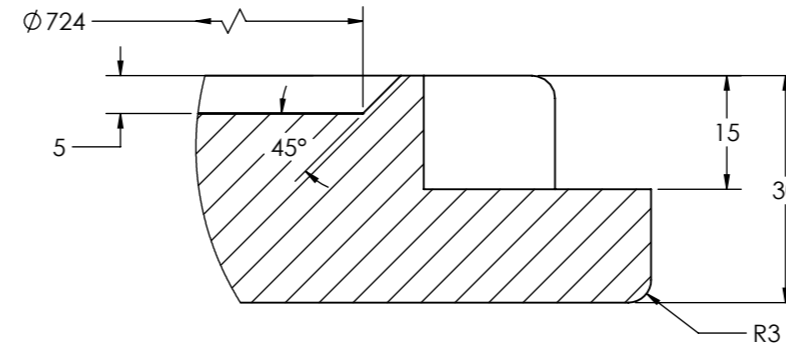
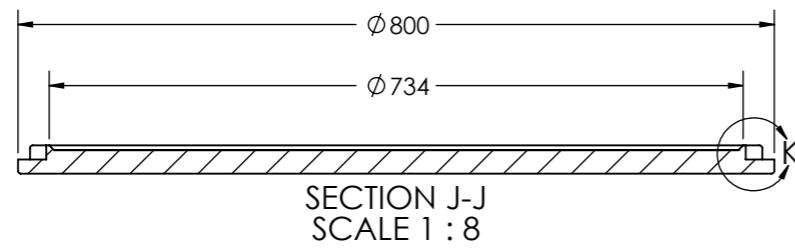
**ISOMETRIC VIEW**



CUSTOMER:				UNIT:
DRAWING		APPROVED		
CHECKED		DATE		
SUB TITLE :				
MAIN TITLE :				

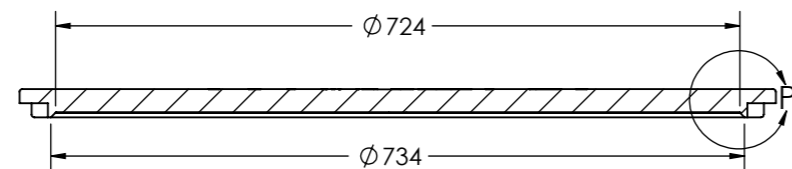
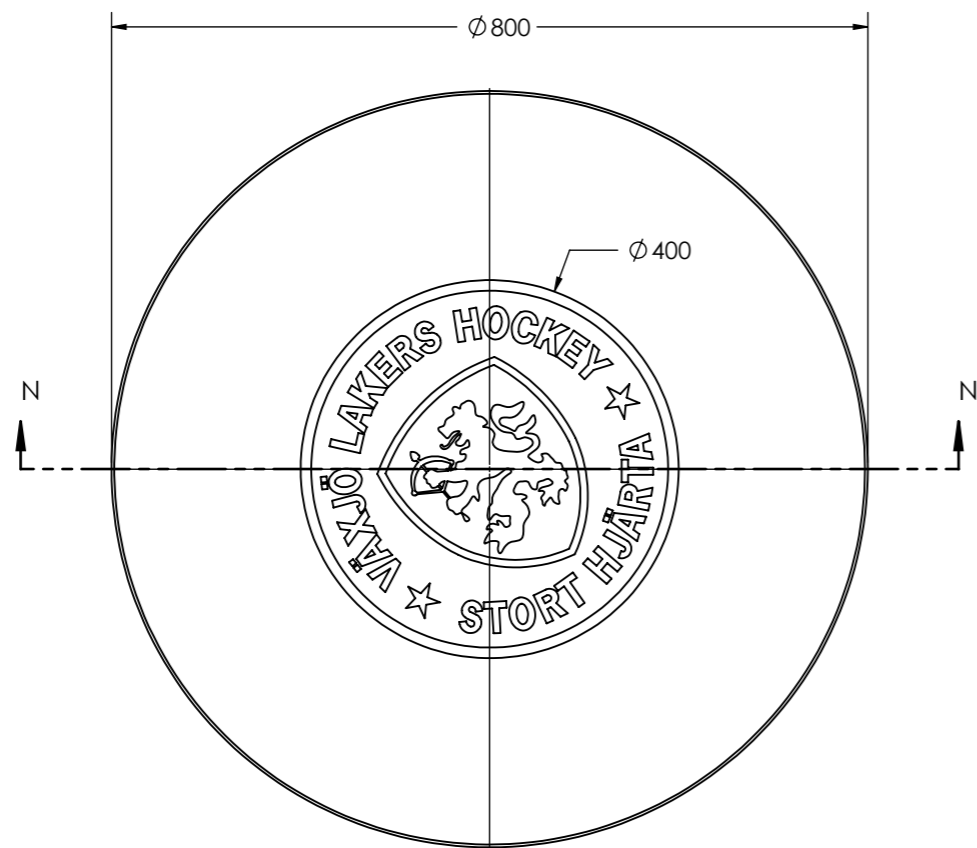


**ISOMETRIC VIEW**

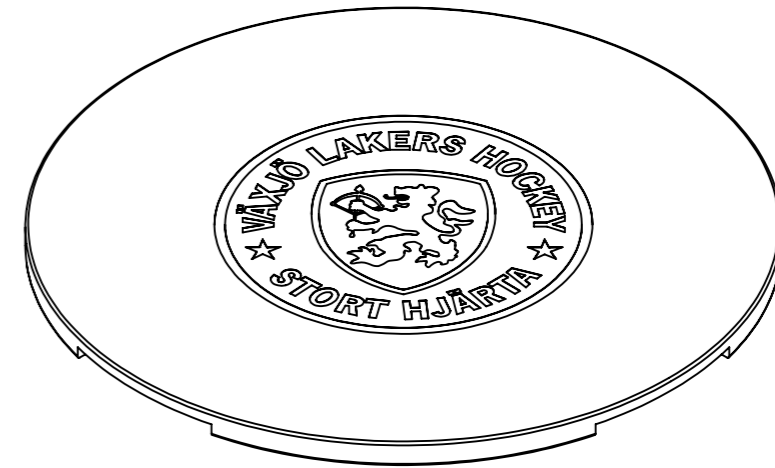


DETAIL K  
SCALE 1 : 1

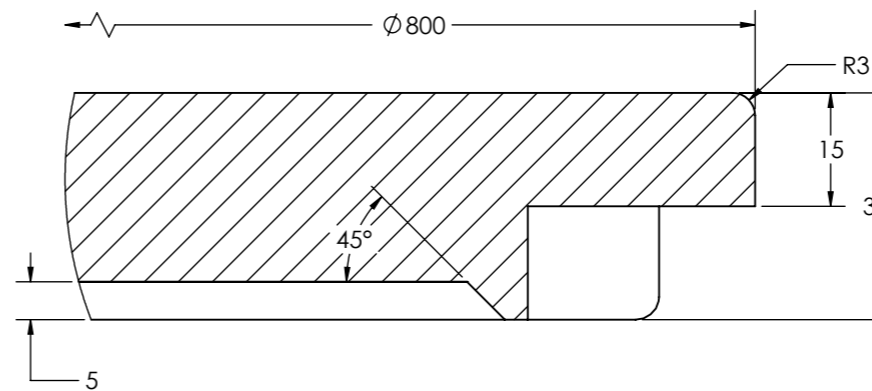
CUSTOMER:				UNIT:
DRAWING		APPROVED		
CHECKED		DATE		
SUB TITLE :				
MAIN TITLE :				



SECTION N-N  
SCALE 1 : 8



**ISOMETRIC VIEW**



DETAIL P  
SCALE 1 : 1

CUSTOMER:			UNIT:
DRAWING		APPROVED	
CHECKED		DATE	
SUB TITLE :			
MAIN TITLE :			